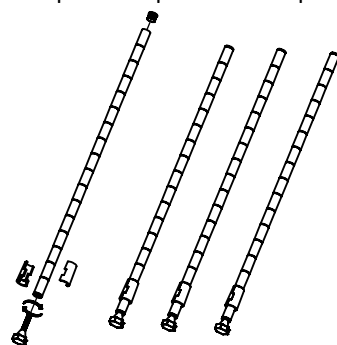
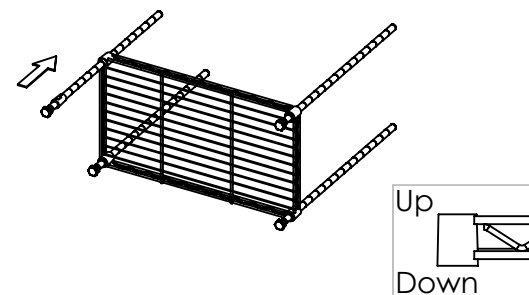


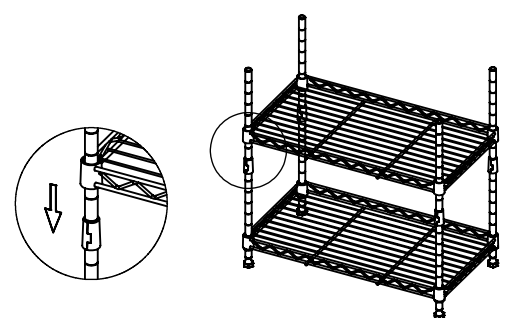
1 Screw four pieces Leveling Foot(D) into the bottom of each Upright Pole(B). And snap the Plastic Clips(C) on the grooves of each lower pole at the same position. Make sure the arrow of all the plastic clips should be pointed up.



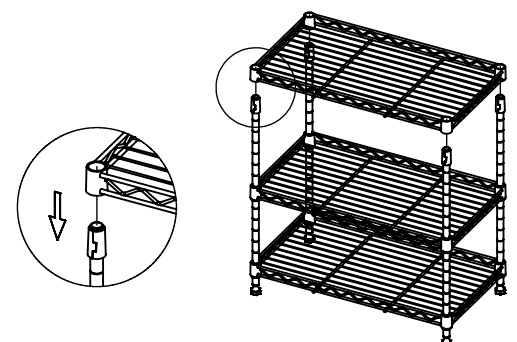
2 Please make sure that you have the Wire Shelf(A) the correct way up. Hold the shelf and slide the top of four lower poles through the bottom of each shelf at its corners until there is snug fit.



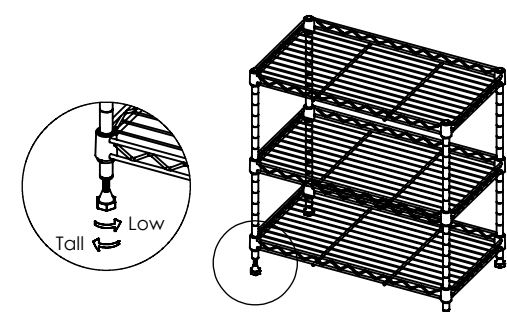
3 Snap plastic clips on the grooves of each pole at your desired position for the next wire shelf. Slide down the wire shelf from the top of each pole down onto the plastic clips.



4 Refer to the Step (3) to assemble the final shelf. And then push Cap(E) on top end of Upright pole(B).



5 Pushing firmly down on every wire shelves at corners by rubber mallet to ensure all the shelves in a place over the plastic clips. And screw leveling feet in or out to attain proper leveling.



No.	A	B	C	D	E
name	Wire Shelf	Upright Pole	Plastic Clip	Leveling Foot	Cap
Parts			 2 pcs spare		
QTY	3 pcs	4 pcs	26 pcs	4 pcs	4 pcs