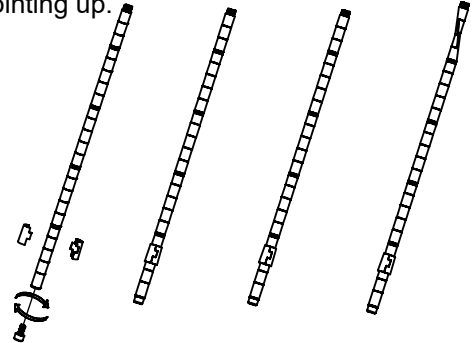


upright parts sequence

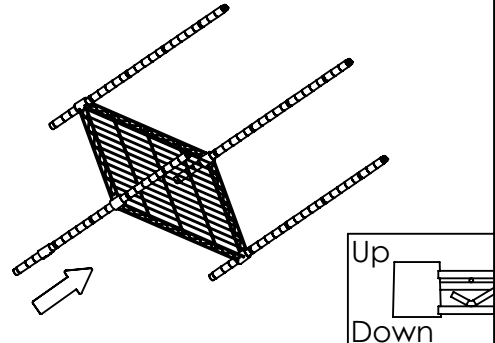
thread inside

| No.   | A          | B          | C          | D               | E             | F         | G     |
|-------|------------|------------|------------|-----------------|---------------|-----------|-------|
| name  | Wire Shelf | Lower Pole | Upper Pole | Plastic Clip    | Leveling Foot | Connector | Cap   |
| Parts |            |            |            | <br>2 pcs spare |               |           |       |
| QTY   | 4 pcs      | 4 pcs      | 4 pcs      | 34 pcs          | 4 pcs         | 4 pcs     | 4 pcs |

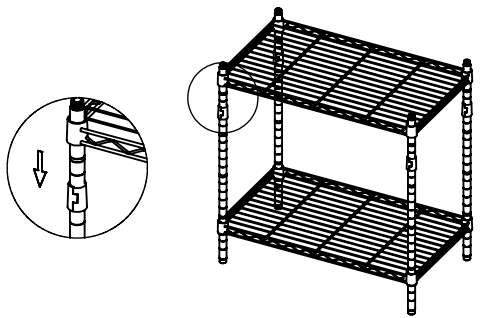
1 Screw four pieces of Leveling Foot (E) into the bottom of each Lower Pole (B). Snap Plastic Clips (D) utilizing the grooves of each lower pole at the same desired position making sure arrows of all the plastic clips pointing up.



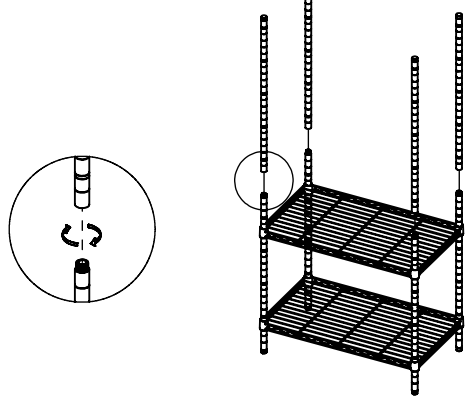
2 Ensure the Wire Shelf (A) positioned correctly. Hold the shelf and slide the top of each Lower Pole (B) through the bottom of each corner opening of the Shelf until it reaches Plastic Clip (D) and fits tightly.



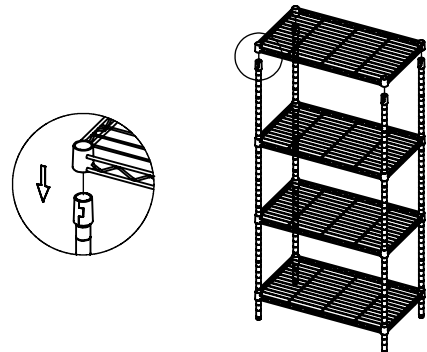
3 Snap plastic clips on the grooves of each lower pole at your desired position for the next wire shelf. Slide down the wire shelf from the top of each pole down onto the plastic clips.



4 Screw upper poles (C) into Lower poles (B) using Connectors (F).



5 Repeat Step (3) to install remaining two wire shelves. And then push Cap (G) on top end of Upper pole (C).



6 Push down firmly every wire shelf at corners using rubber mallet to ensure all the shelves are in place covering plastic clips evenly at each corner. Adjust Leveling Feet (E) to attain proper leveling if needed.

