



# HEAVY-DUTY PADDED BENCH 40"W X 20.185"D X 20"H

Model #:  
HPB402020B

## USE AND CARE GUIDE


Questions, problems, missing parts?

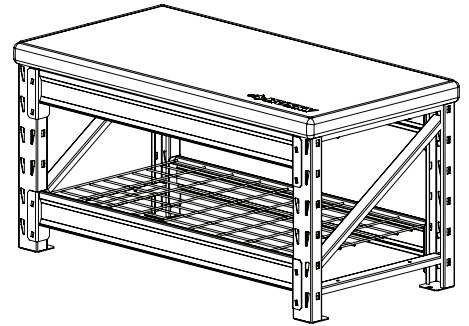
Contact Husky's manufacturing partner for assistance:

7 a.m. - 5 p.m., CST, Monday-Friday:

 Chat: [www.edsal.com/chat](http://www.edsal.com/chat) or [www.edsal.com/contact](http://www.edsal.com/contact)


 Email: [support@edsal.com](mailto:support@edsal.com)

 Phone: 1-773-475-3131



To obtain replacement parts please provide: Model Number, Part Number & Description, Store Location and Date Purchased

## Important Safety Information

 This bench should be placed on a level surface. Failure to do so can result in poor product performance or create a possible safety hazard. **DO NOT STAND ON THIS UNIT OR USE THIS UNIT AS A LADDER. DO NOT MOUNT CASTERS TO THIS UNIT.** Caution: contains small parts, keep children away during installation. Use two or more people to assemble and move the bench to avoid injury. Do not use this bench for anything other than the manufacturer's intended purpose. Use care when working with metal parts, wear gloves for protection. Periodically inspect the unit to ensure crossbeams are properly seated and wing nuts are securely tightened. Do not exceed weight capacity of 500 lbs for the bench or 500 lbs for the lower shelf. Failure to follow these guidelines can result in property damage or personal injuries. Keep this manual for future reference.

Helpful tools/items for assembly (not included): Rubber Mallet



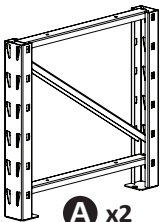
Gloves



## Warranty

GUARANTEED FOREVER. If your Husky product ever fails bring it back and we will replace it for free. This full warranty gives you specific rights which vary from state to state. If this product is defective contact the manufacturer for repair or replacement parts.

## Contents



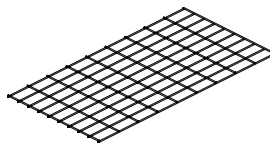
**A** x2

Upright Frame  
#HBR-FM2018-V1-BLK



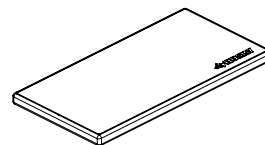
**B** x4

Crossbeam  
#HBR-IBM34-V1-BLK



**C** x1

Wire Deck  
#1733W



**D** x1

Padded Seat  
#HPB-SEAT4020-V1-BLK

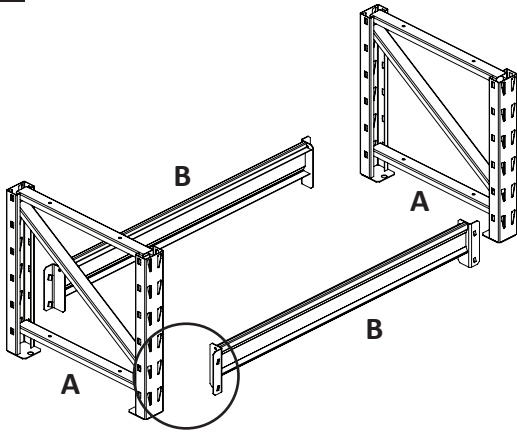


**E** x4

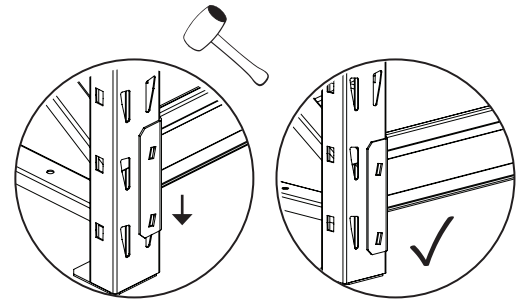
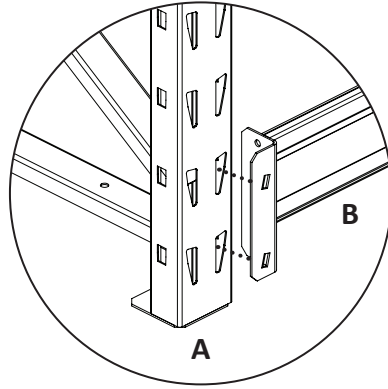
Wing Nut  
#Wing-Nut

# Assembly

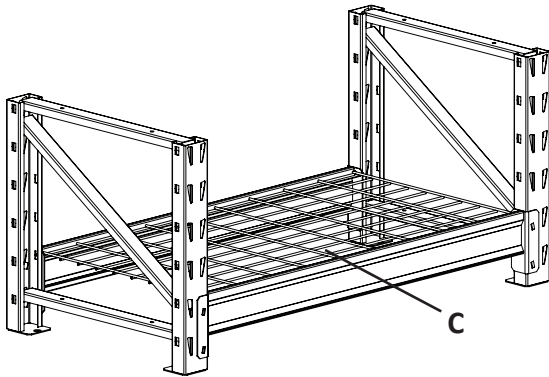
**1** Assemble B (x2) into the bottom two slots of each upright frame A (x2).



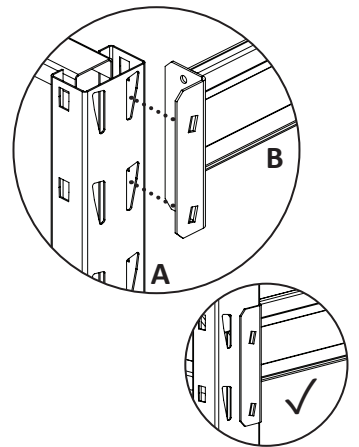
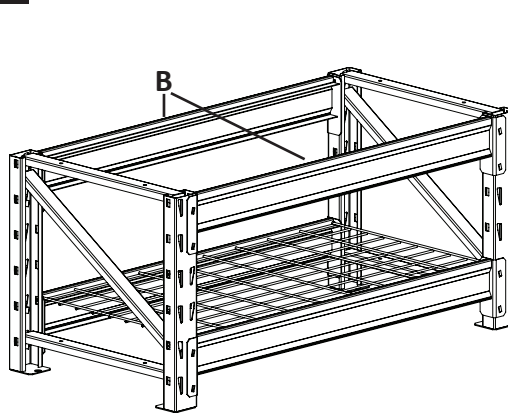
*Note:* A rubber mallet may be used to help secure the inner tabs of the crossbeams down into the narrow ends of the frame slots by **lightly** tapping down on the crossbeams until the tabs are fully engaged into the bottom of slots.



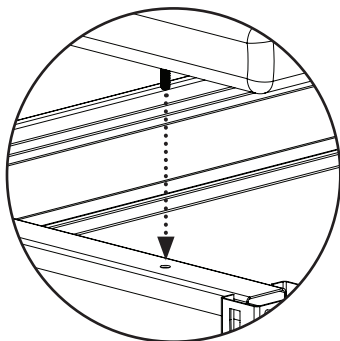
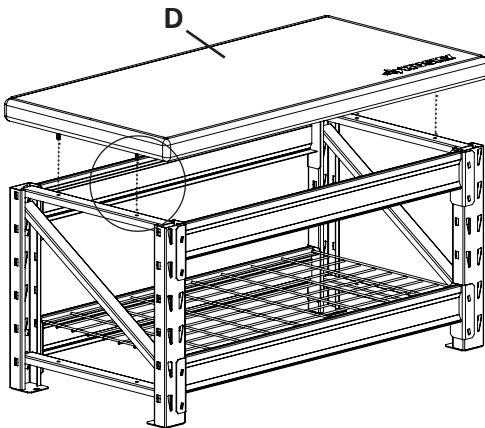
**2** Assemble C onto the crossbeams (B)



**3** Assemble B (x2) into the top two slots of each side of the frames (A)



**4** Assemble D into the upright frames



Insert all four threaded screws located on the underside of the padded seat into the holes located on the upright frames.

**5** Assemble E (x4) into each of the threaded screws

